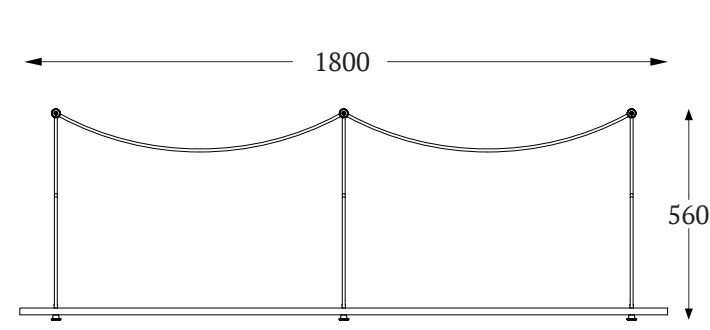
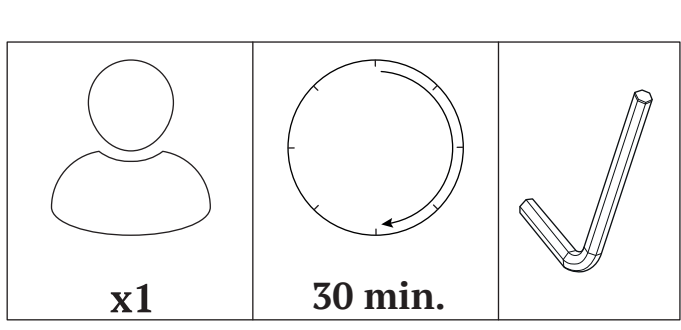


FERRO



A



10X50
x3

B



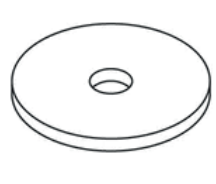
M8X60
x3

C



x3

D



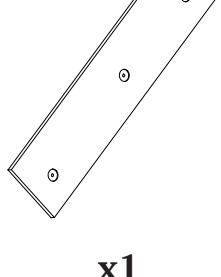
x6

E



x6

F



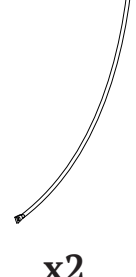
x1

G



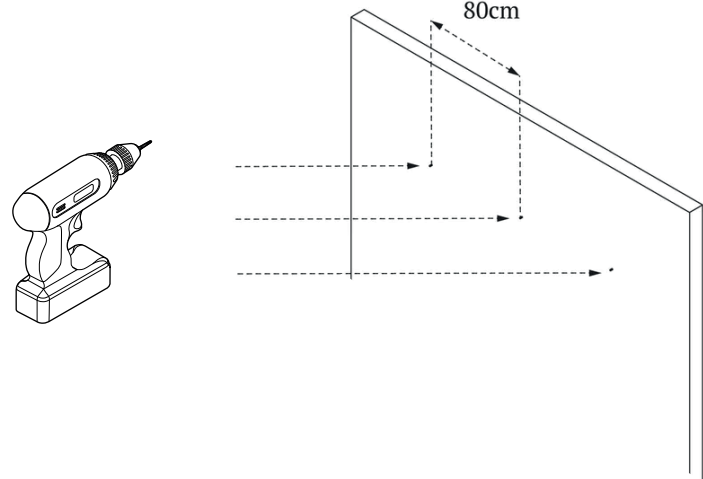
x3

H

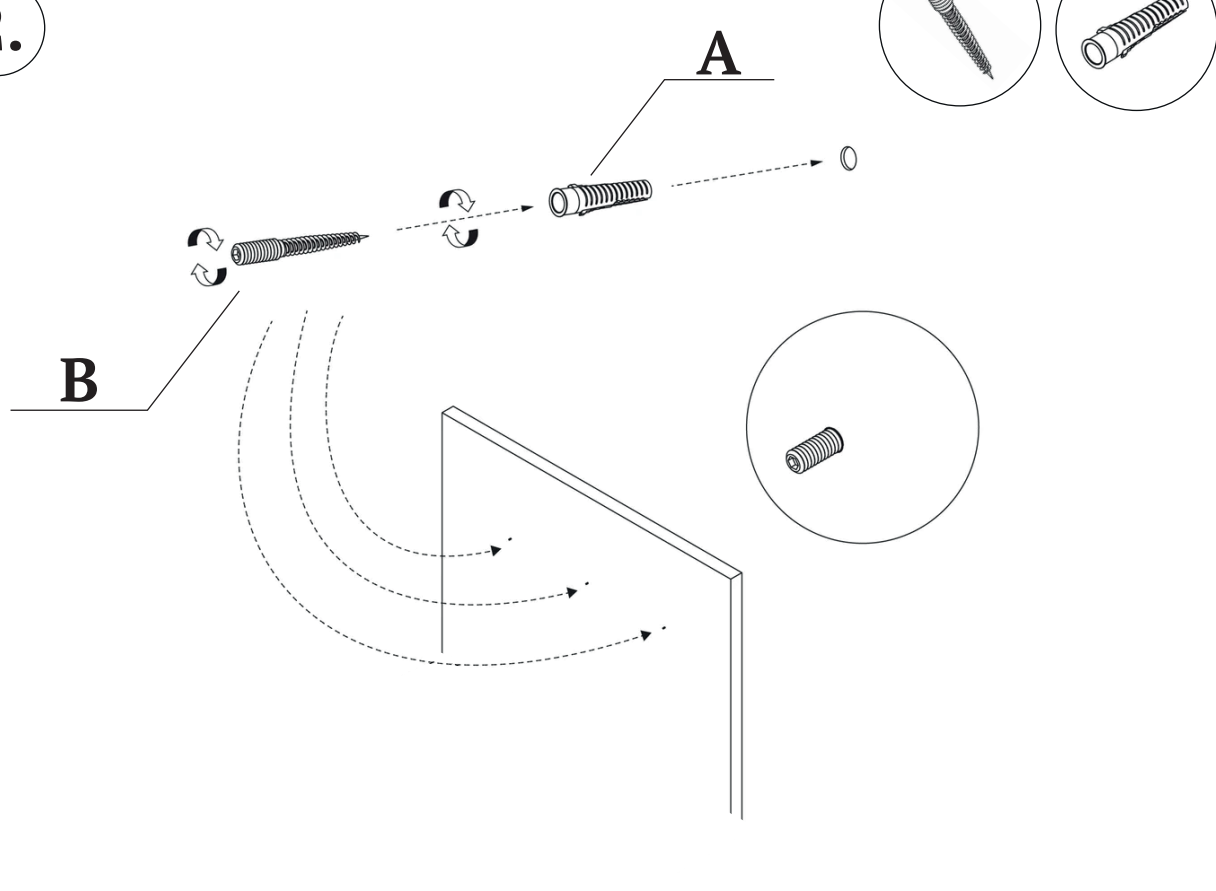


x2

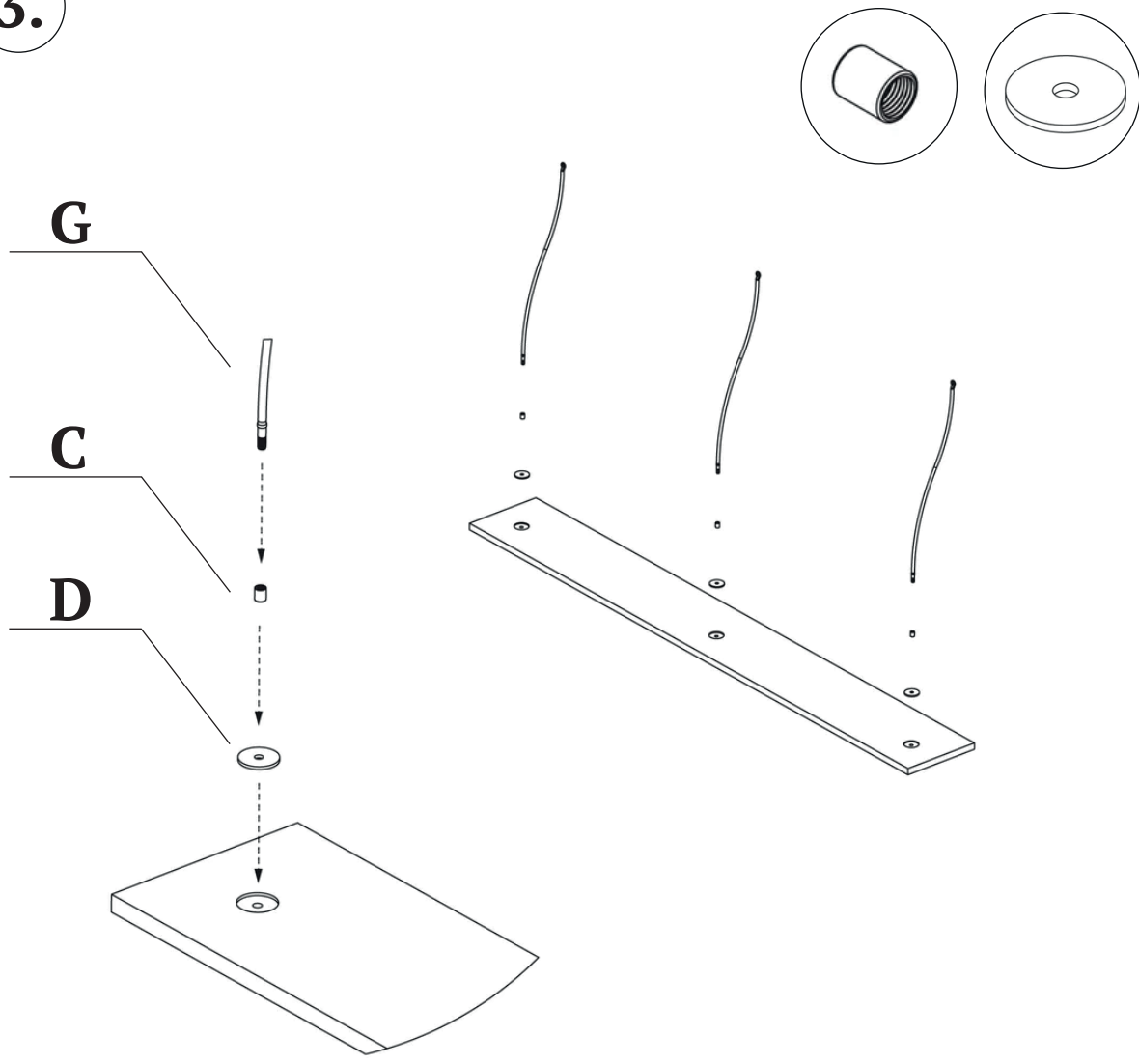
1.



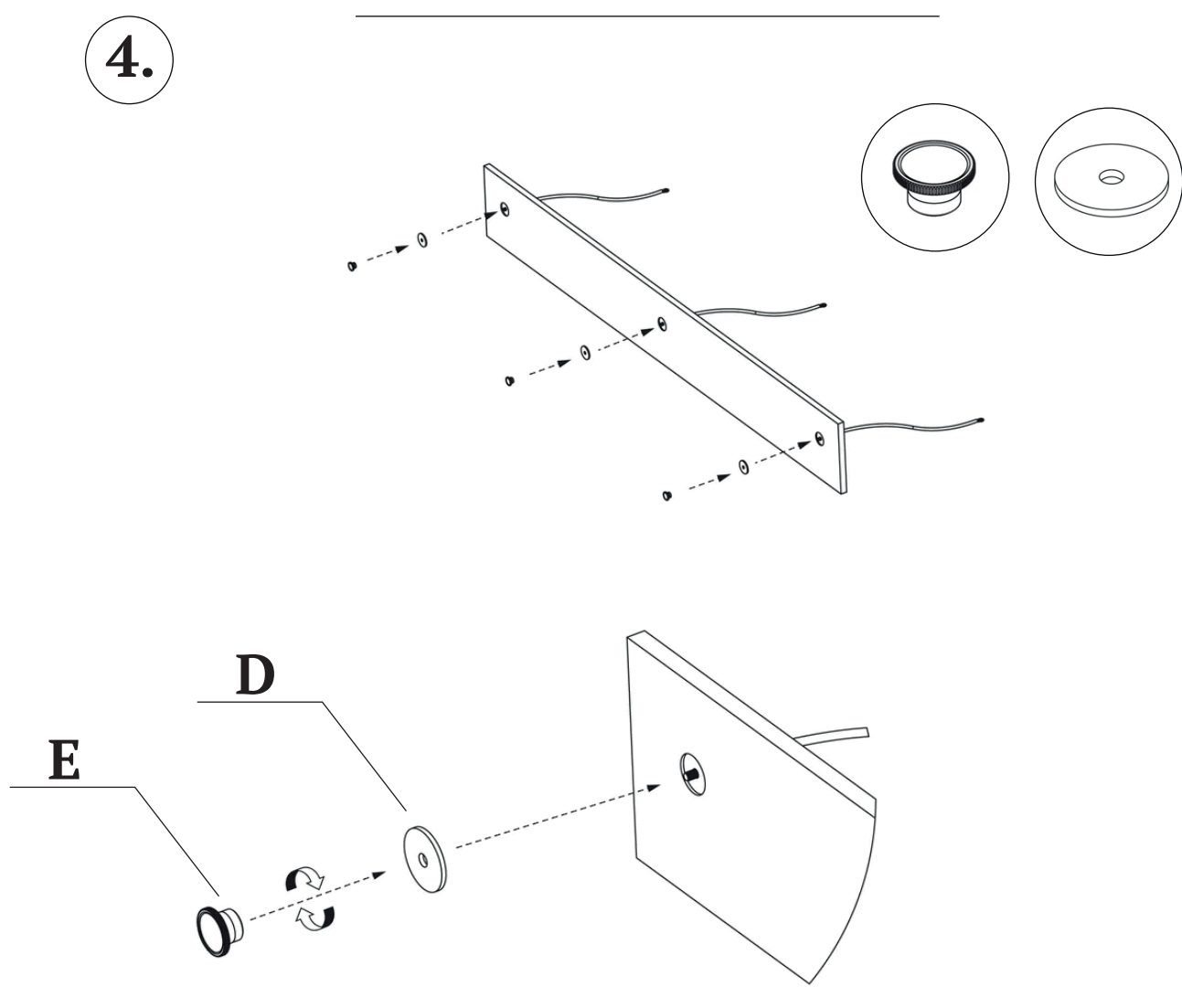
2.



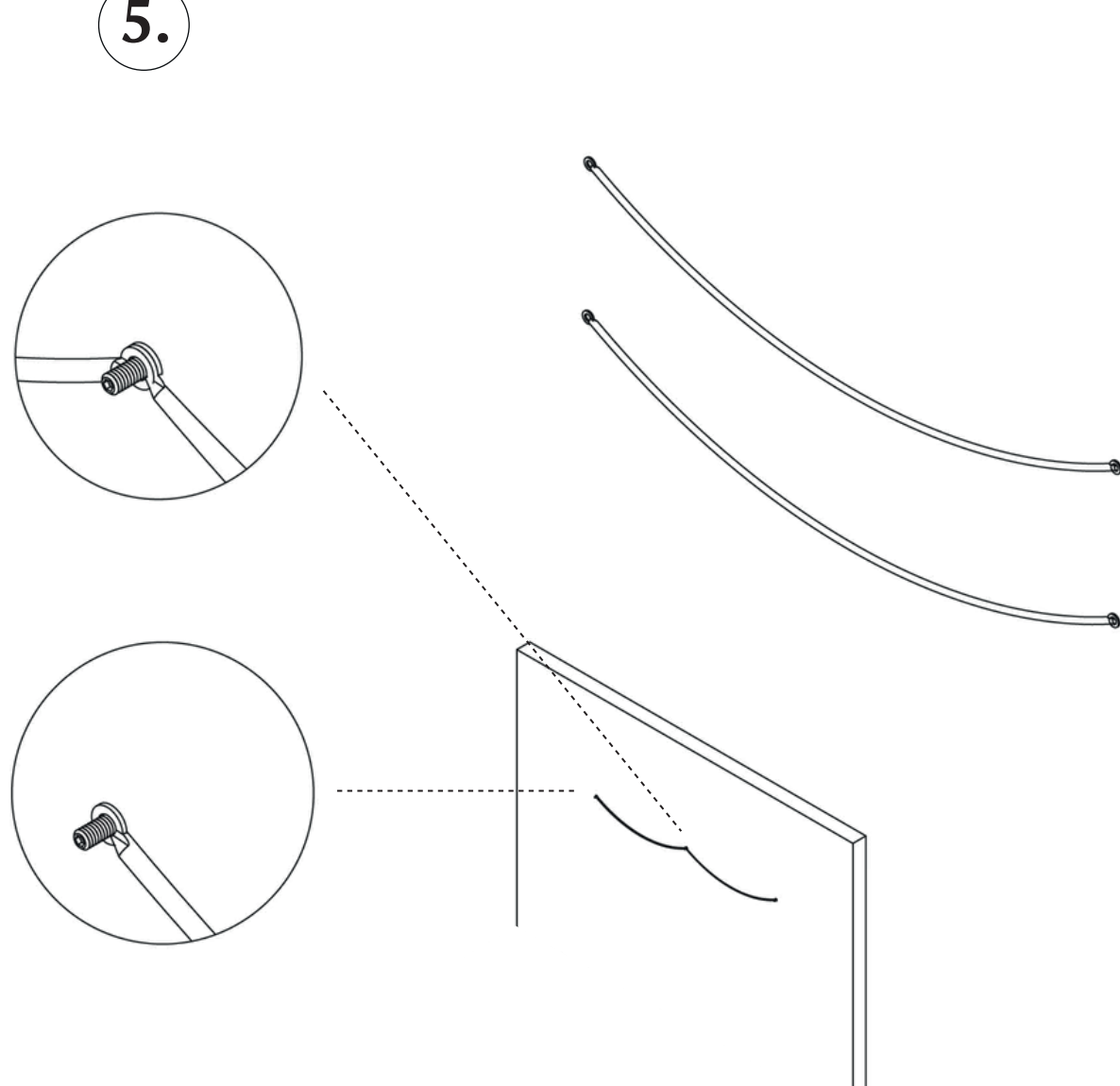
3.



4.



5.



6.

